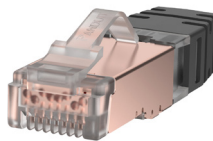


PanPlug® TX6A™ 23-24 AWG STP Modular Plug

SPECIFICATIONS

Category 6A/Class E_A, 8-position, 8-wire, shielded modular plug shall terminate 4-pair, 23-24 AWG, 100 ohm, solid or stranded shielded twisted pair cable with maximum conductor insulation diameter of 0.047 inches. (1.19mm) and maximum jacket diameter of 0.300 inches. (7.62mm).



TECHNICAL INFORMATION

Category 6A/Class E_A component performance:	Exceeds ANSI/TIA Category 6A and ISO Class E _A performance requirements when properly terminated to Category 6A F/UTP copper cable
IP compliance:	Bulkhead connection rated IP65/IP67 for dust protection and temporary liquid immersion
IEC compliance:	IEC-60603-71
FCC and ANSI compliance:	Meets ANSI/TIA-1096-A (formerly FCC Part 68) IEC compliance: IEC-60603-7
PoE compliance:	Supports PoE, PoE+, and proposed Type 3 and 4 PoE++ applications for up to 100 W
RoHS compliance:	Compliant
Cable jacket diameter range:	0.275 in.- 0.300 in. (6.99mm-7.62mm)
Conductor insulation diameter range:	0.036 in. - 0.040 in. (1.02mm - 0.91mm)
Plug housing:	UL94V-0-rated clear Polycarbonate
Contacts:	Gold-plated phosphor bronze
Operating temperature:	14°F-140°F (-10°C-60°C)
Storage temperature:	40°F-158°F (-40°C-70°C)

KEY FEATURES AND BENEFITS

Patented tangle-free latch:	Prevents snags and provides easy release, saving time and giving reliability on frequent moves, adds, and changes
Robust construction:	Rated to 2500 mating cycles

APPLICATIONS

Category 6A plugs allow customers to meet performance requirements in ISO 11801 Class EA, IEEE 802.3an-2006 and ANSI/TIA-568-C.2 Category 6A Standards to support transmission at speeds up to and including 10GBASE-T. These plugs can be used in applications with data centers and connections to high end workstations such as stacking switches and switch-to-switch links, storage area networks, aggregation of Gigabit Ethernet channels, real-time intensive financial transactions, streaming video, animation, scientific modeling, and medical imaging.

PanPlug TX6A 23-24 AWG STP Modular Plug

Bulk package of 100 pcs: SPS6X88-C

Tools and Accessories

Termination Tool: CSPT

Crimp Tool: MPT5-8AS

Standard RJ45 plug lock-in device (Red): PSL-DCPLE[^]

Recessed RJ45 plug lock-in device (Red): PSL-DCPLRE[^]

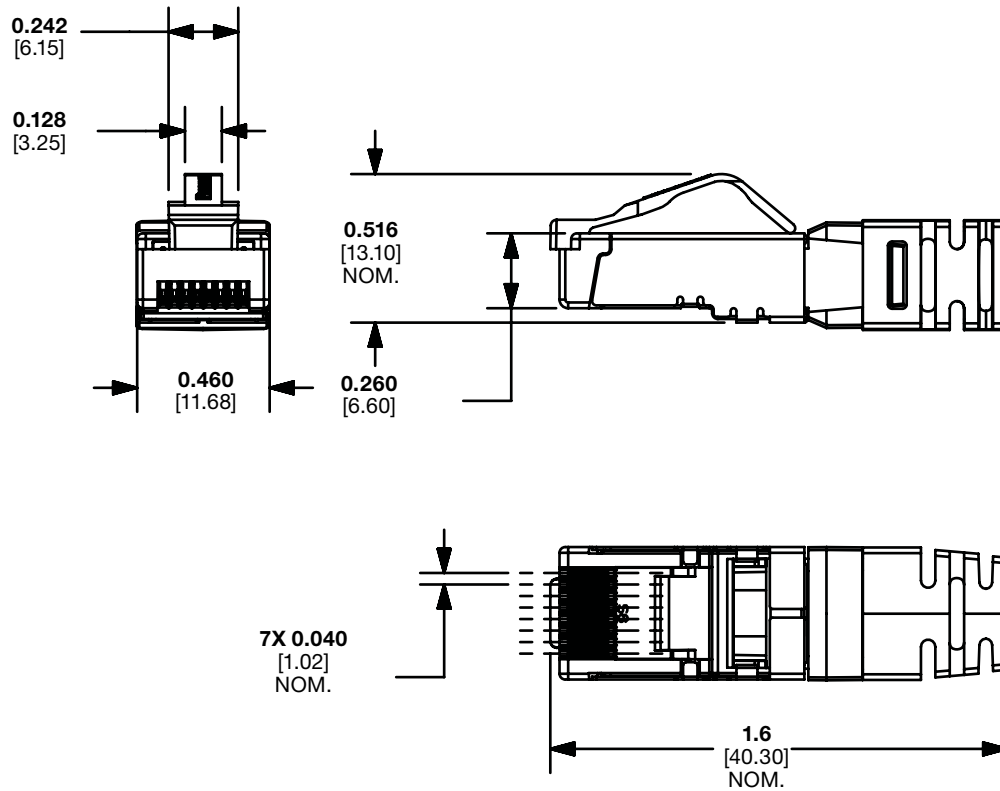
[^]Colors other than Red: -BL (Black), -BU (Blue), -GR (Green), -YL (Yellow), -OR (Orange), IW (International White), or -IG (International Gray)
-C indicates bulk packages of 100 to reduce single-use plastic



All Part Numbers Compliant with the U.S. Trade Agreements Act (TAA) for purchases shipped to the United States.

PanPlug® TX6A™ 23-24 AWG STP Modular Plug

ENGINEERING DRAWINGS



WORLDWIDE SUBSIDIARIES AND SALES OFFICES

PANDUIT US/CANADA
Phone: 800.777.3300

PANDUIT EUROPE LTD.
London, UK
Phone: 44.20.8601.7200

PANDUIT SINGAPORE PTE. LTD.
Republic of Singapore
Phone: 65.6305.7575

PANDUIT JAPAN
Tokyo, Japan
Phone: 81.3.6863.6000

PANDUIT LATIN AMERICA
Guadalajara, Mexico
Phone: 52.33.3777.6000

PANDUIT AUSTRALIA PTY. LTD.
Victoria, Australia
Phone: 61.3.9794.9020

For a copy of Panduit product warranties, log on to www.panduit.com/warranty

For more information
Visit us at www.panduit.com
Contact Customer Service by email: cs@panduit.com
or by phone: 800.777.3300

© 2023 Panduit Corp.
ALL RIGHTS RESERVED.
COSP401-WW-ENG
10/2023